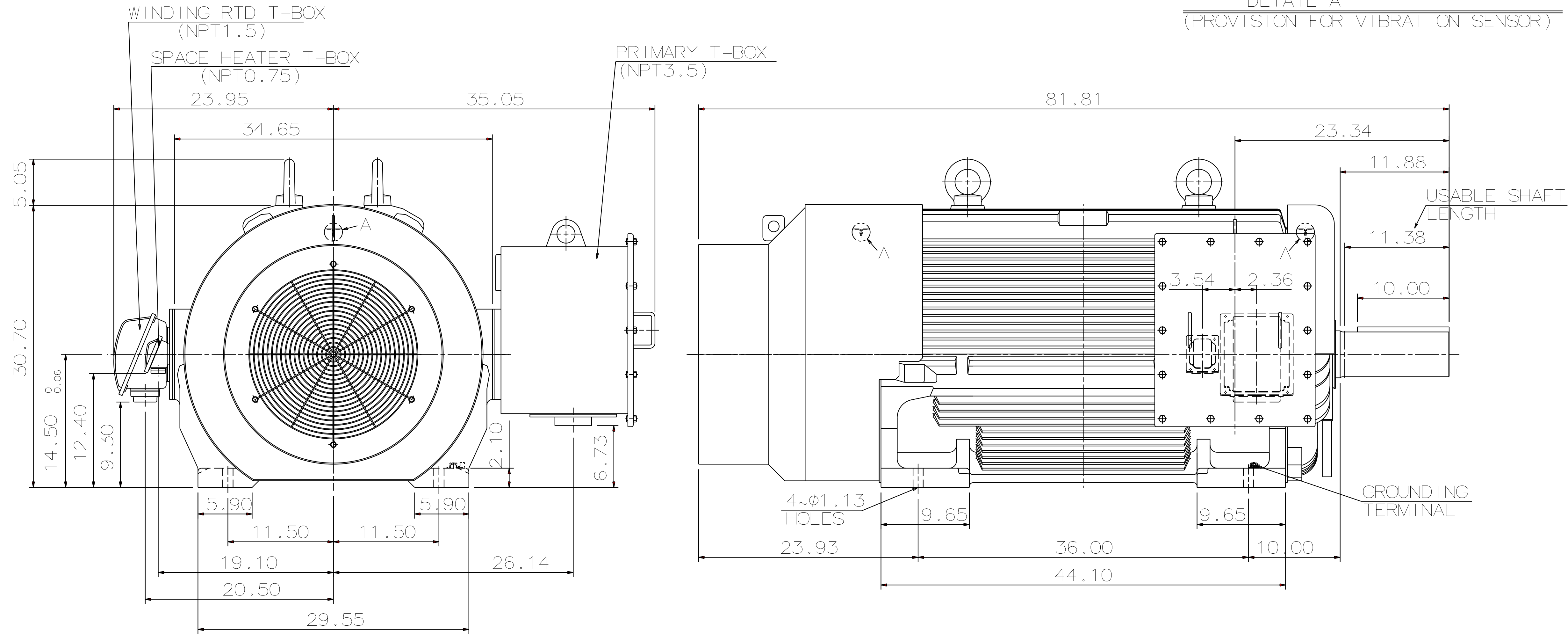
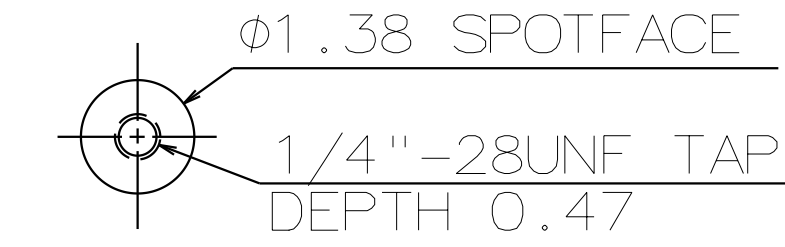


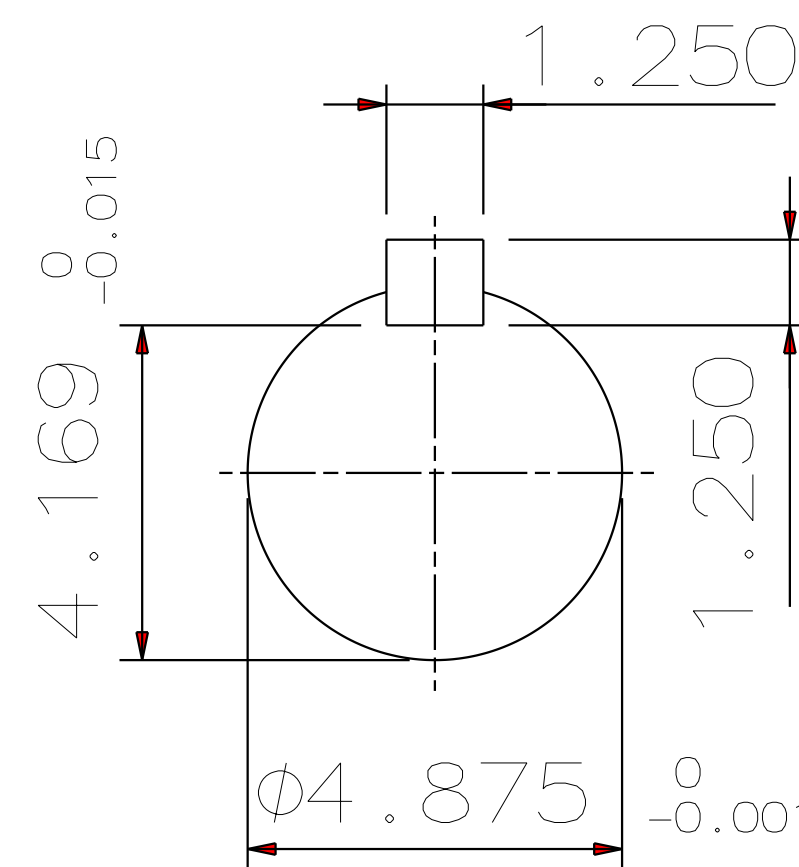
CATALOG #	TYPE	FRAME	OUTPUT		POLE	SYN. SPEED R.P.M.	VOLTAGE V.	Hz.	TIME RATING	INSULATION CLASS	SERVICE FACTOR	BEARINGS		WEIGHT LBS
			HP	KW								DE	NDE	
KD6004	AEHAGD	5810B	600	447	4	1800	2300/4000	60	CONT.	F	1.15	6326	6322	6115

TOTALLY ENCLOSED FAN-COOLED TYPE. SQUIRREL CAGE MOTOR



NOTES:

1. DIMENSIONS IN INCH.
2. ENCLOSURE: IP55.
3. FOR DIRECT FLEXIBLE COUPLING.
4. WITH WINDING RTD: PT 100 Ω /0 $^{\circ}$ C 6PCS
5. WITH SPACE HEATER: SINGLE PHASE, 120V
6. PROVISION FOR BEARING RTD MOUNTING: 2~PT1/2" TAPS PER BRACKET
7. NON-SPARKING FAN
8. CORROSION PROOF



REF: 4B040L396	REV. DATA		REV NO 01		
	TECO Westinghouse			DWG NO. 0L_KD6004	
	3-PHASE INDUCTION MOTOR		OUTLINE DIMENSIONS		
	DWN E.NARVAEZ	111918	APPD S.GROHOSKY	111918	
TECO-WESTINGHOUSE MOTOR COMPANY			ROUND ROCK, TEXAS USA		